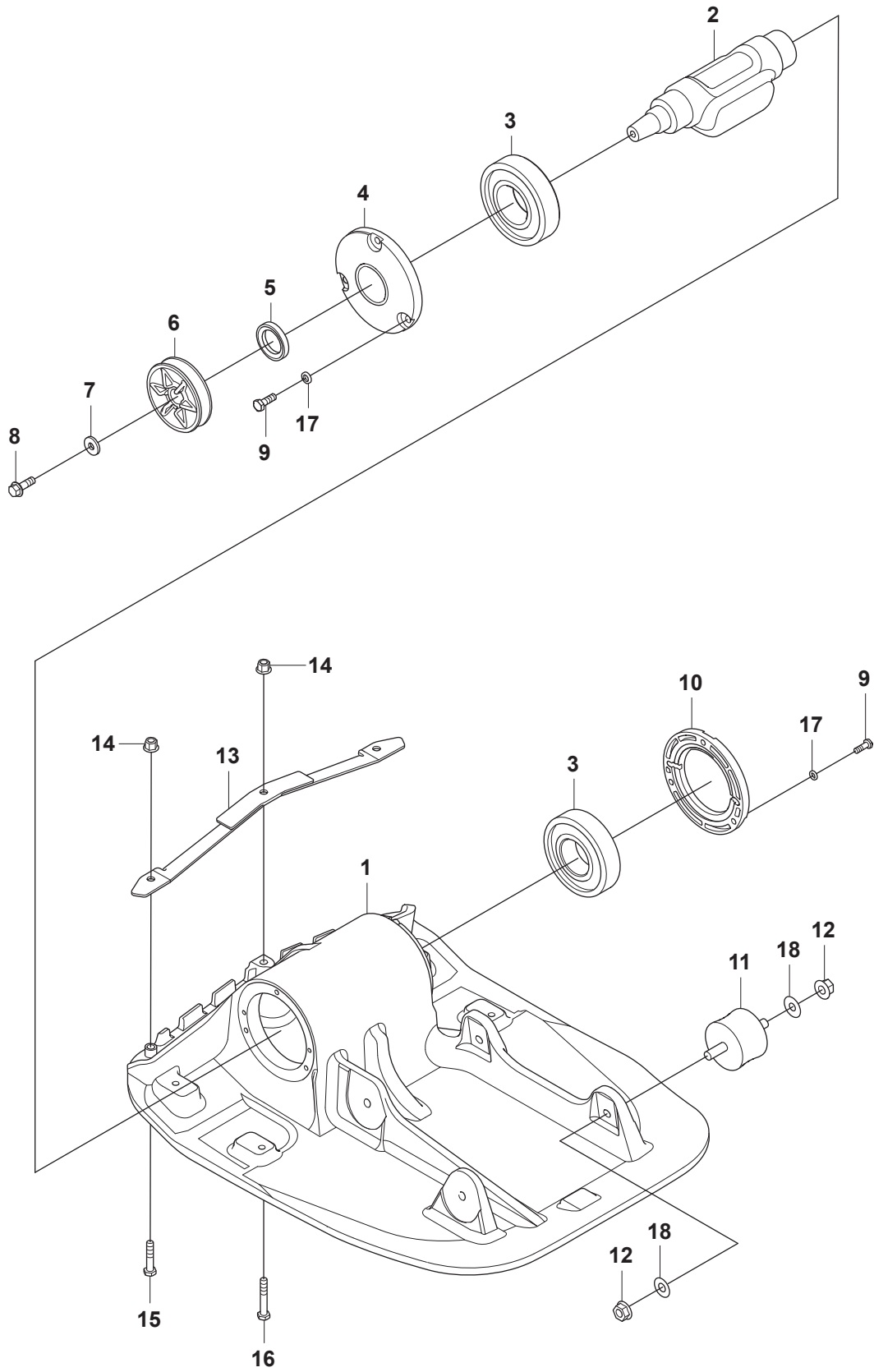
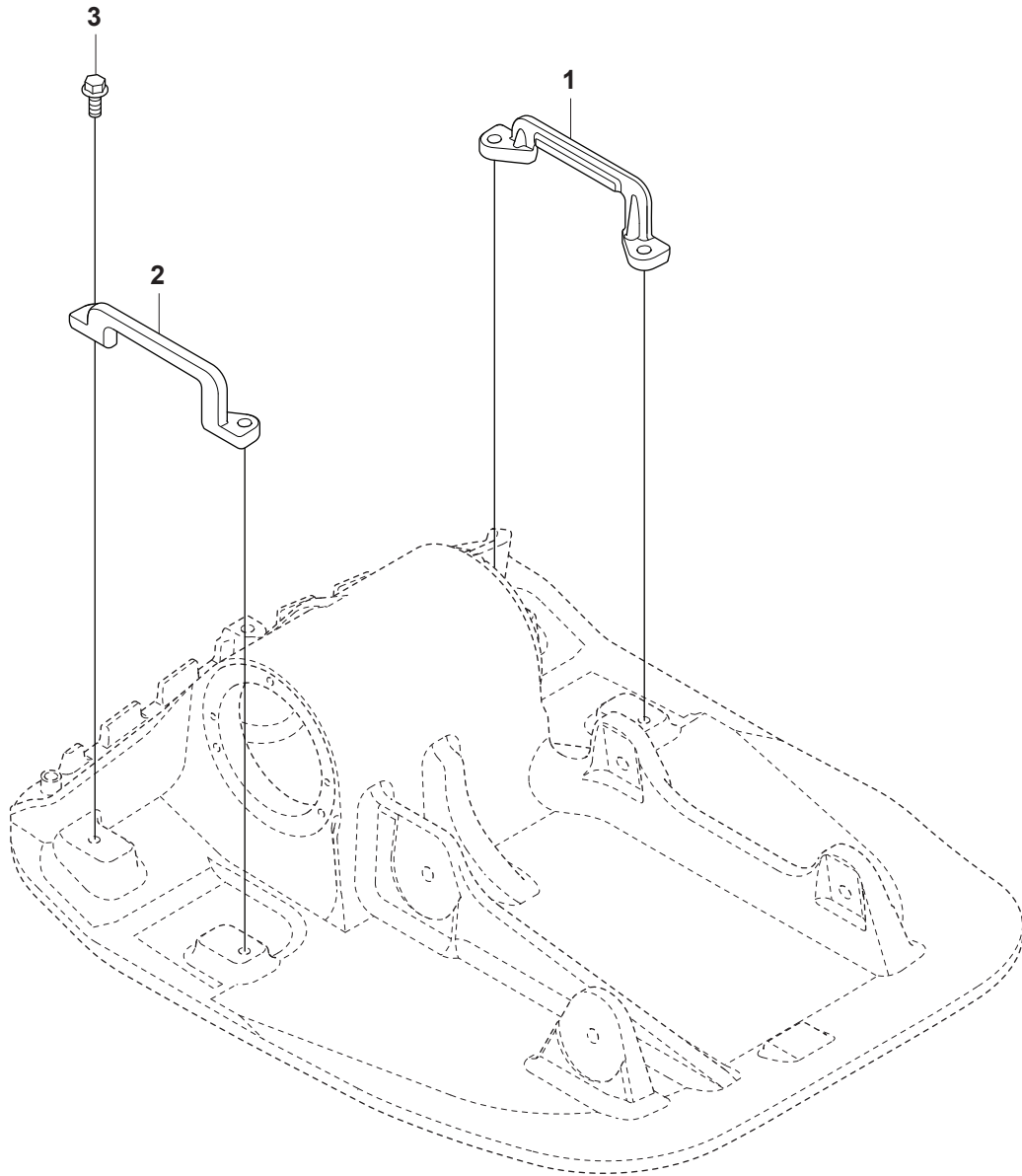


**FP 100
GROUND PLATE INSTALLATION**



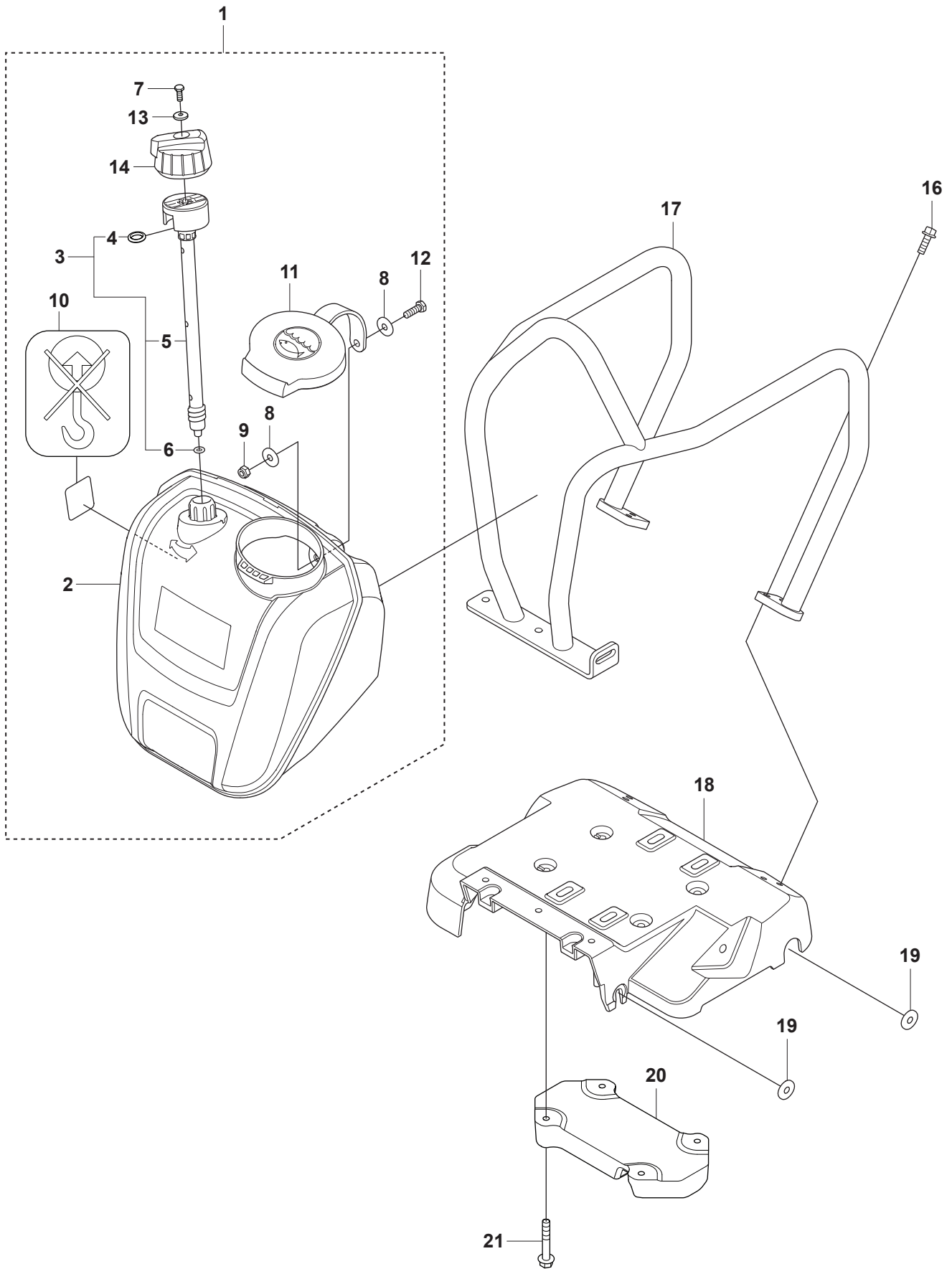
REF.	PART NO.	REMARK	QTY.	KIT
1	594650901	Ground plate, 420 mm, 16.5 in.	1	
2	594643901	Eccentric shaft	1	
3	594526101	Ball bearing	2	
4	594490101	Cover	1	
5	594128301	Lip-type oil seal	1	
6	594486701	V-belt pulley	1	
7	594123401	Washer, 8.4 x 22 x 3 mm, 0.33 x 0.87 x 0.12 in. 300 HV	1	
8	594120001	Screw, M8 x 25 mm 8.8 A2K	1	
8	595033201	Screw, M6 x 16 mm 8.8 A2K	6	
10	594490201	Cover	1	
11	594341901	Shock absorber	4	
12	594122601	Nut, M10 x 1.5 mm GEOMET®	8	
13	594653201	Sprinkler bar, 420 mm, 16.5 in.	1	
15	595033501	SCREW M08x40 8.8, A2K	2	
14	594123001	Lock nut, M8 x 1.25 mm A2K	3	
16	595287101	SCREW M08x50, 8.8, A2K	1	
17	594124601	Washer nordlock NL6 M6 DIA 13.5	6	
18	594838501	Washer 022x10,5x4,0, S355JR UNTR	4	

FP 100
LIFTING HANDLE



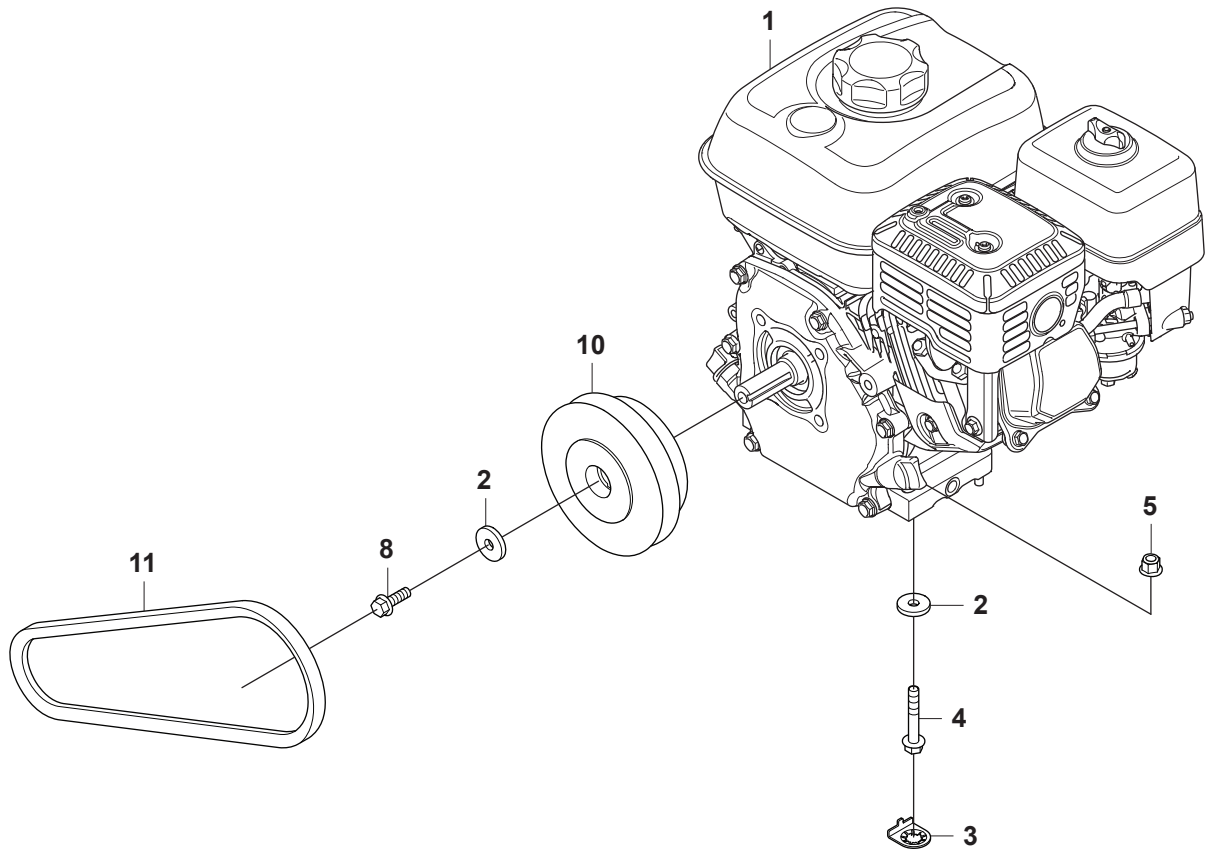
REF.	PART NO.	REMARK	QTY.	KIT
1	594486802	Handle	1	
2	594486902	Handle	1	
3	595287301	Hex Head screw M8X16 CL8.8 DIN6921	4	

**FP 100
ENGINE PLATE AND WATER TANK**



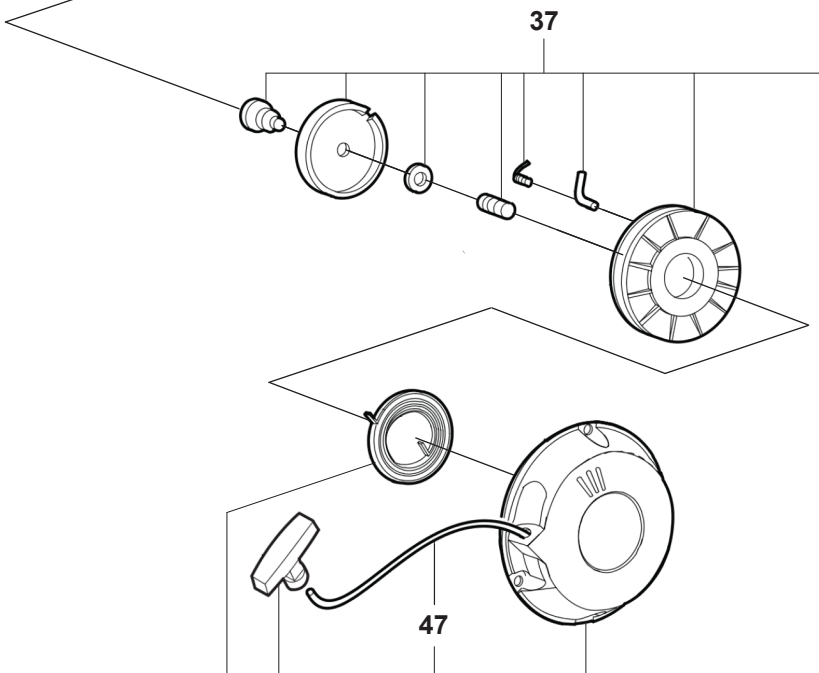
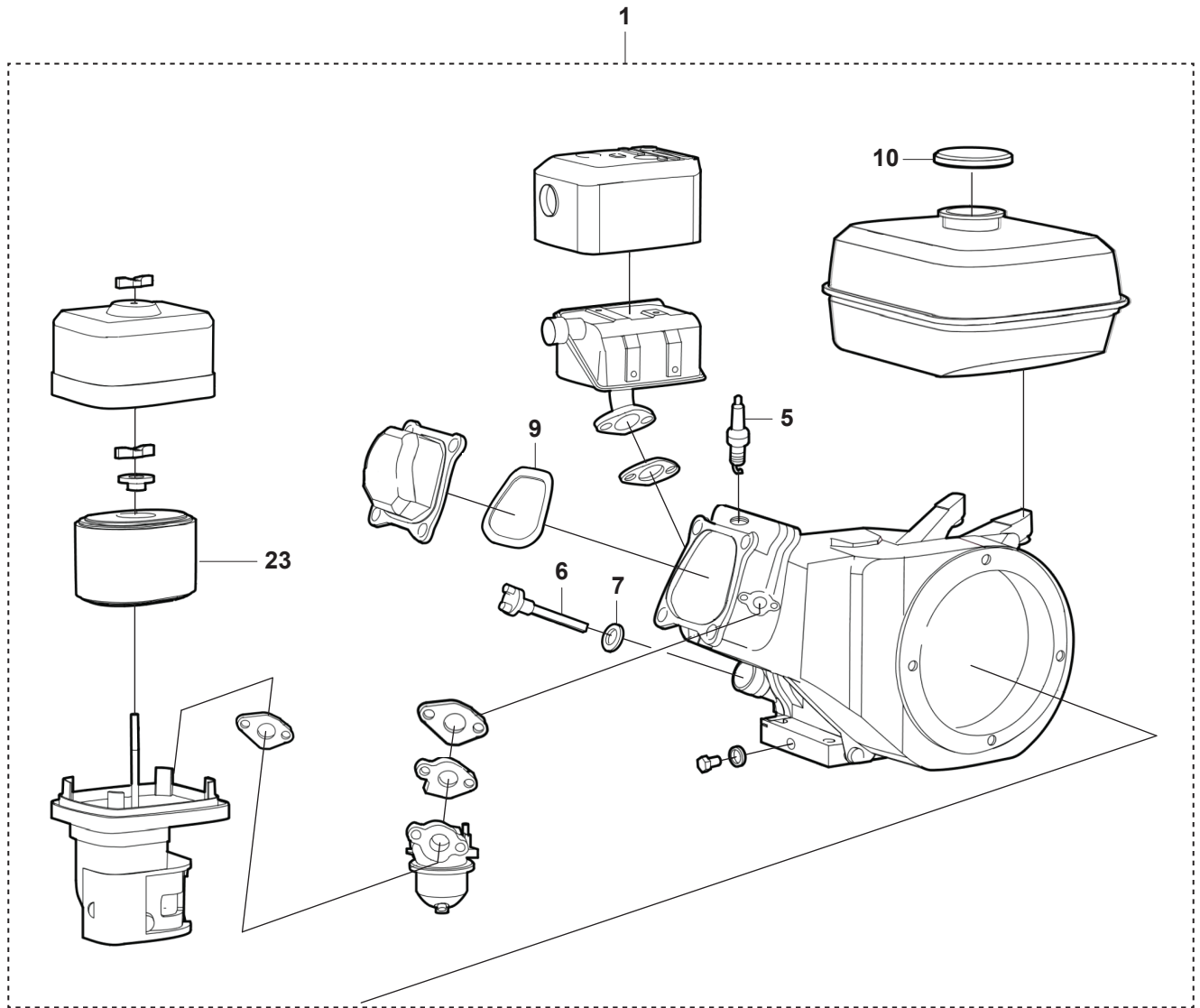
REF.	PART NO.	REMARK	QTY.	KIT
1	594709601	WATER TANK	1	
2	594161301	WATER TANK (black)	1	1
3	594212301	Valve rod, complete	1	1
4	594127901	O-ring, 15 x 4 mm	1	1, 3
5	594481901	VALVE	1	1, 3
6	594128001	O-ring, 8 x 2.5 mm	1	1, 3
7	595033201	Screw, M6x16 mm 8.8 A2K	1	1
8	595061001	Washer, 8,4x25x2 mm	2	1
9	595062701	Nut, M8 -8 DIN985	1	1
10	594483301	DECAL No Lifting Point 45x45 mm	1	1
11	594481401	Cap	1	1
12	595033401	Screw, M8x25 mm 8.8 A2K	1	1
13	595036401	Washer, 6.4x18x1.6 mm	1	1
14	594481101	Handle	1	1
17	548585901	FRAME APT ORANGE	1	
16	594120001	SCREW Flange M08x25, 8.8, A2K	7	
18	548585801	PLATE MOTOR-MODULE, APT ORANGE	1	
19	594838501	Washer 022x10,5x4,0, S355JR UNTR	4	
20	594868401	WEIGHT	1	
21	594499101	bolt with flange, M8x50,M6SF,8.8	4	

**FP 100
ENGINE INSTALLATION**



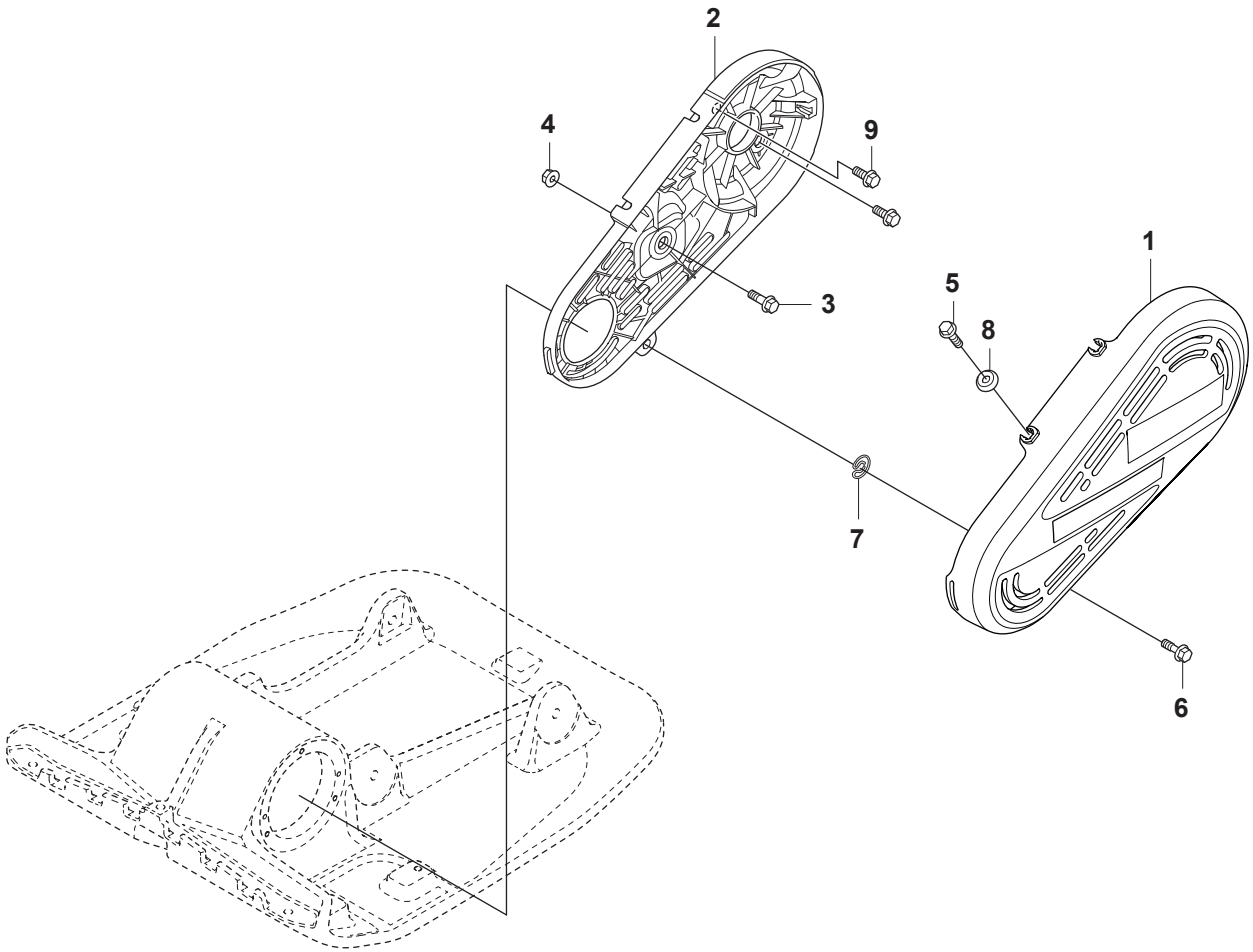
REF.	PART NO.	REMARK	QTY.	KIT
1	594161101	ENGINE Honda GX160UH2-SX-S4-SD	1	
2	595112901	Washer, 8.4x26x4 mm 300 HV	5	
3	594484201	WASHER SS 1770-04	4	
4	594499101	Screw, M8x50 mm 8.8 A2K	4	
5	594123001	Lock nut, M8x1.25 mm A2K	4	
10	594480101	Centrifugal clutch	1	
11	594488801	V-belt	1	

FP 100
ENGINE - HONDA GX 160UH2 SXS4 SD



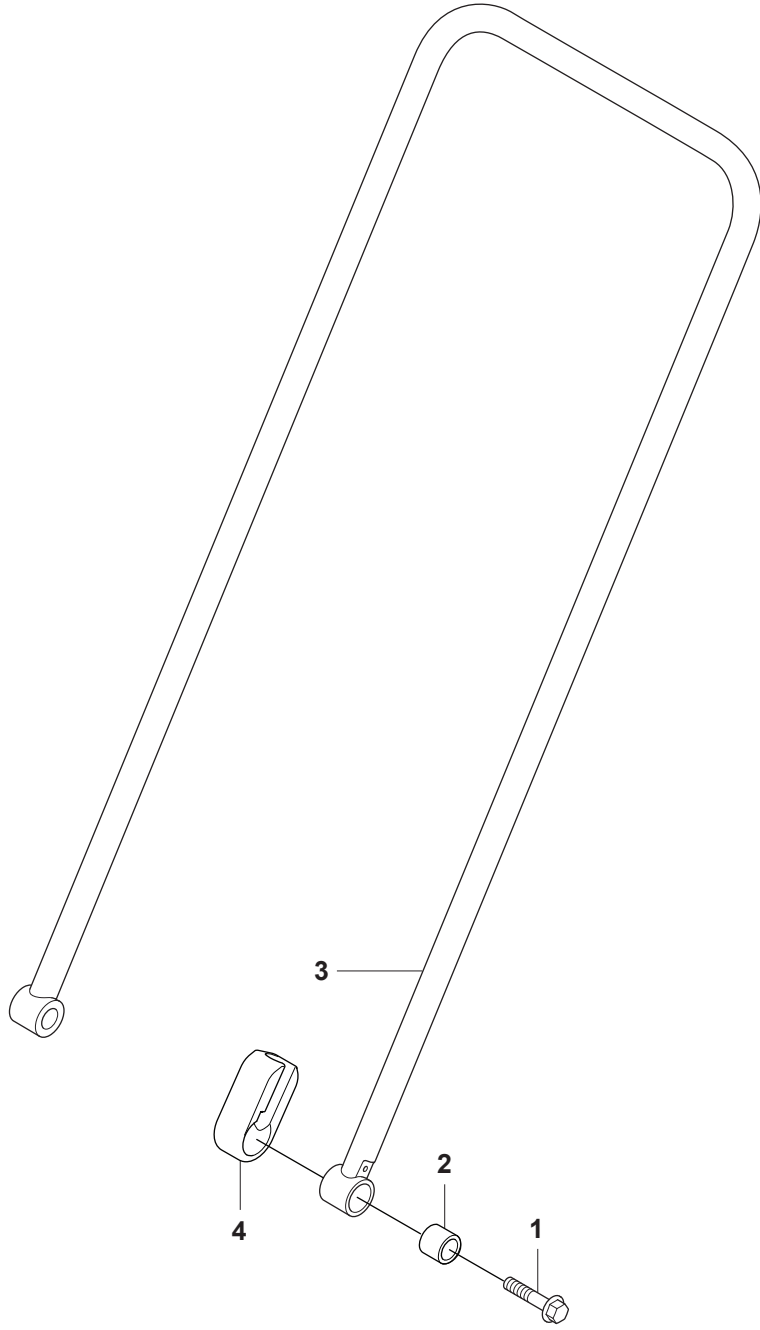
REF.	PART NO.	REMARK	QTY.	KIT
1	594161101	ENGINE Honda GX160UH2-SX-S4-SD	1	
5	594204001	SPARK PLUG (bpr6es) (ngk)	1	
6	594203801	OIL Dip Stick	1	
7	595374201	CAP Packing	1	
9	594313001	GASKET (HONDA REF. 12391-ZE1-000)	1	
10	595360301	FUEL CAP	1	
23	594302101	AIR FILTER	1	
37	594204801	STARTER Recoil, Complete Honda	1	
47	595049101	ROPE	1	

FP 100
BELT GUARD



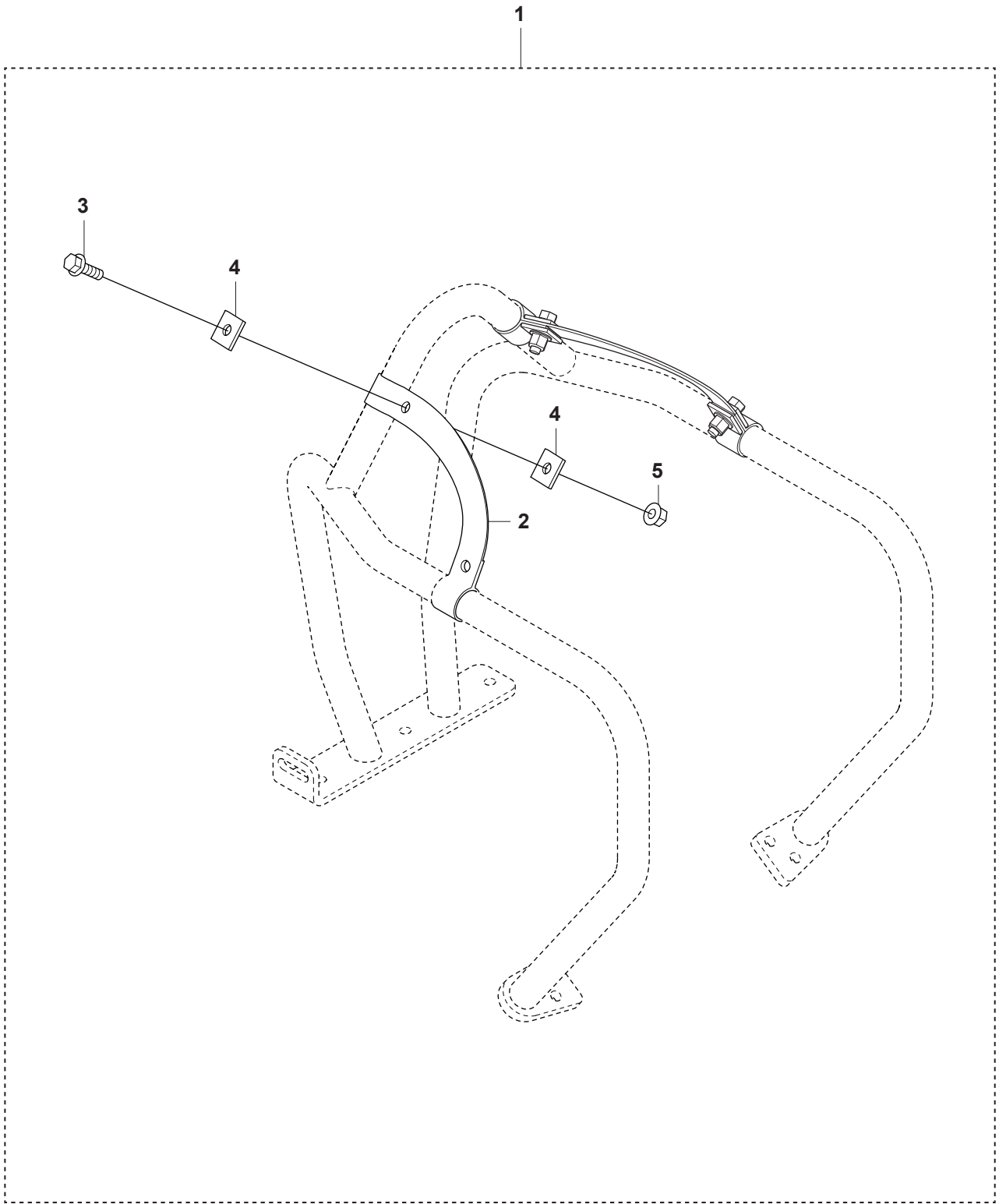
REF.	PART NO.	REMARK	QTY.	KIT
1	594178901	Belt guard, outer	1	
2	594483101	Belt guard, inner	1	
3	594120001	Screw, M8 x 25 mm 8.8 A2K	3	
4	594123001	Nut, M8 x 1.25 mm A2K	1	
5	594119801	Flange screw	3	
6	594648001	Screw, M8 x 25 mm 8.8 A2K	1	
7	594650201	LOCKING SPRING ISO 4042	1	
8	594647801	WASHER EN 10 025-2 S235JR	3	
9	595287301	Screw, M8 x 20 mm 8.8 A2K	2	

**FP 100
HANDLE**



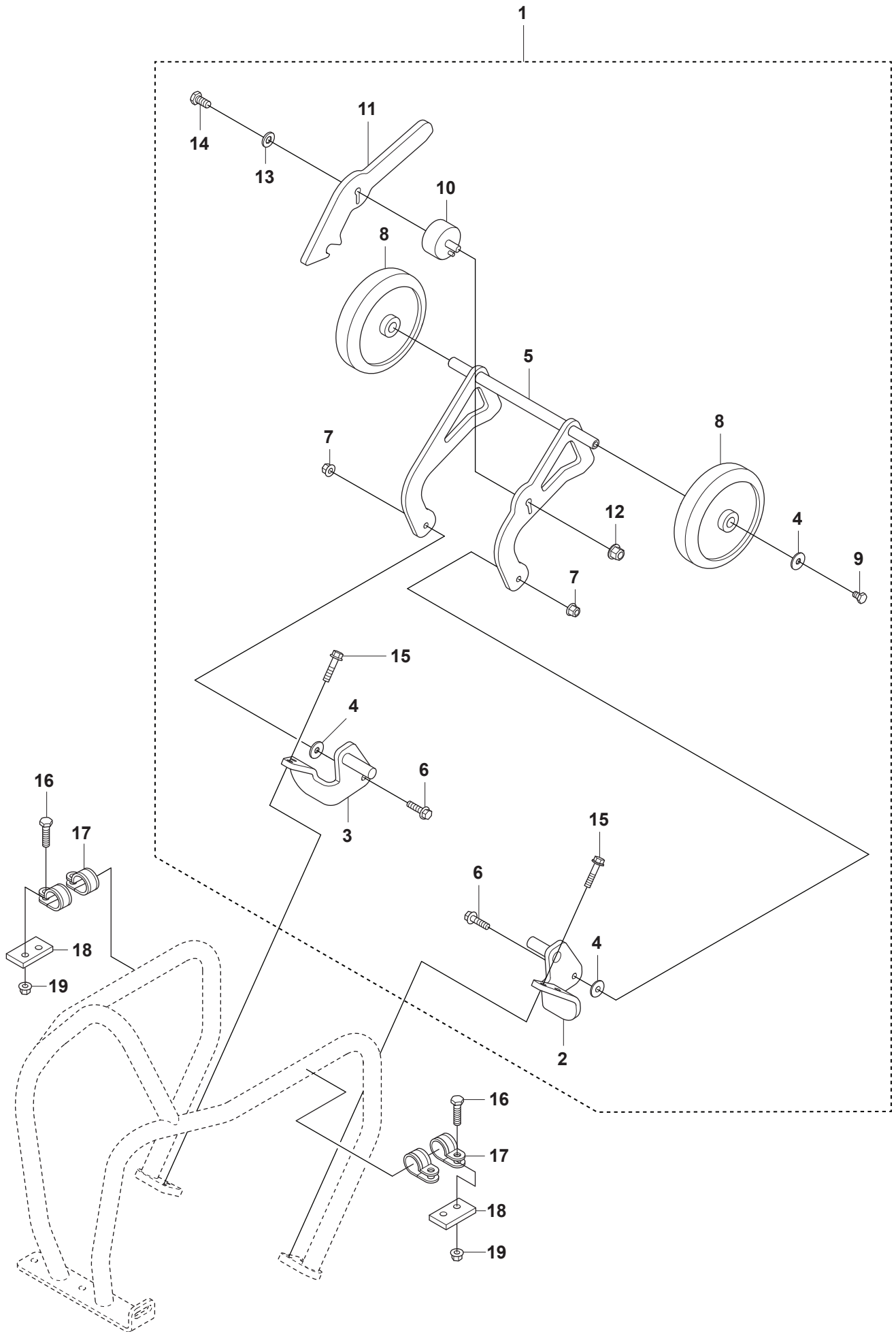
REF.	PART NO.	REMARK	QTY	KIT
1	548586301	Flanged bolt, M12 x 50 mm 8.8 A3K	2	
2	594480301	Bushing	2	
3	548518501	HANDLE W.A. BLACK	1	
4	594480401	RUBBER SHOE	2	

FP 100
FORK LIFTING DEVICE



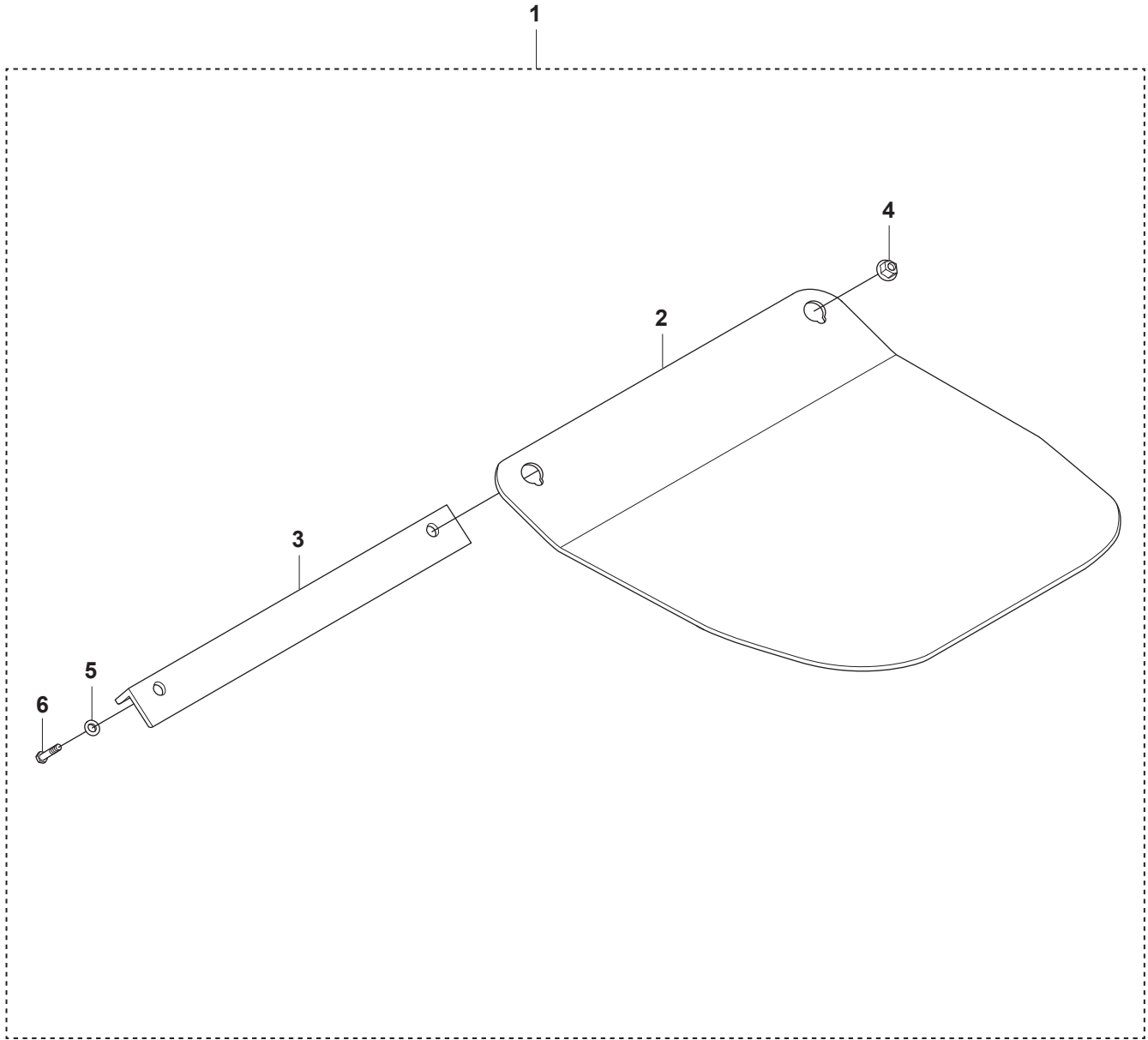
REF.	PART NO.	REMARK	QTY.	KIT
1	595503101	Fork lifting device kit	1	
2	594489901	Strap	2	1
3	594119801	M08x30, 8.8, A2K	4	1
4	595182701	Washer, 9 x 25 x 3 mm, 0.35 x 0.98 x 0.12 in.	8	1
5	594123001	Lock nut, M8x1.25 mm A2K	8	1

**FP 100
TRANSPORT DEVICE**



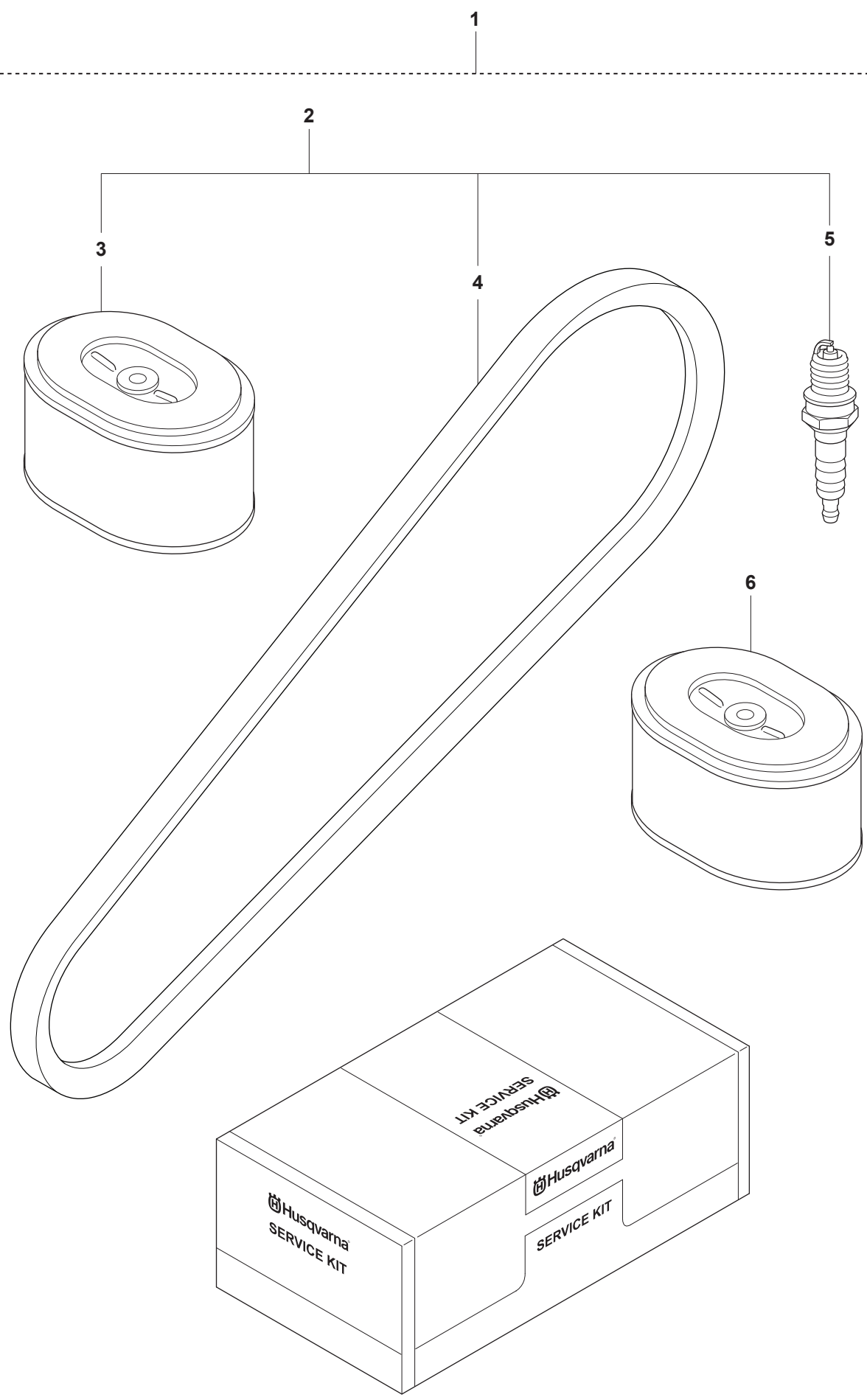
REF.	PART NO.	REMARK	QTY.	KIT
1	594204901	Transport device kit	1	
2	548586001	CONSOLE WHEEL LEFT - BLACK	1	
3	548586201	CONSOLE WHEEL RIGHT BLACK	1	
4	595061001	Washer, 8.4 x 25 x 2 mm, 0.33 x 0.98 x 0.08 in.	4	
5	548586101	FORK BLACK	1	
6	594119801	Screw, M8 x 30 mm 8.8 A2K	2	
7	594123001	LOCK NUT M8x1.25 mm A2K	2	
8	594455501	Wheel	2	
9	596889707	Screw, M8 x 12 mm 8.8 A2K	2	
10	594462701	Shock absorber	1	
11	594651001	Hook	1	
12	595064701	LOCK NUT w. Flange M10	1	
13	594747401	Washer, 10.5 x 22 x 2 mm, 0.41 x 0.87 x 0.08 in.	1	
14	594118401	Screw, 10 x 20 mm 8.8 FZB	1	
15	594120001	Screw, M8 x 35 mm 8.8 FZB	4	
16	595466301	Screw, M6 x 25 mm 8.8 FZB	4	
17	594125401	Pipe clamp	4	
18	594646001	Stop	2	
19	595112601	Nut,M6	4	

FP 100
BLOCK PAVING PLATE 500 MM (19,7")



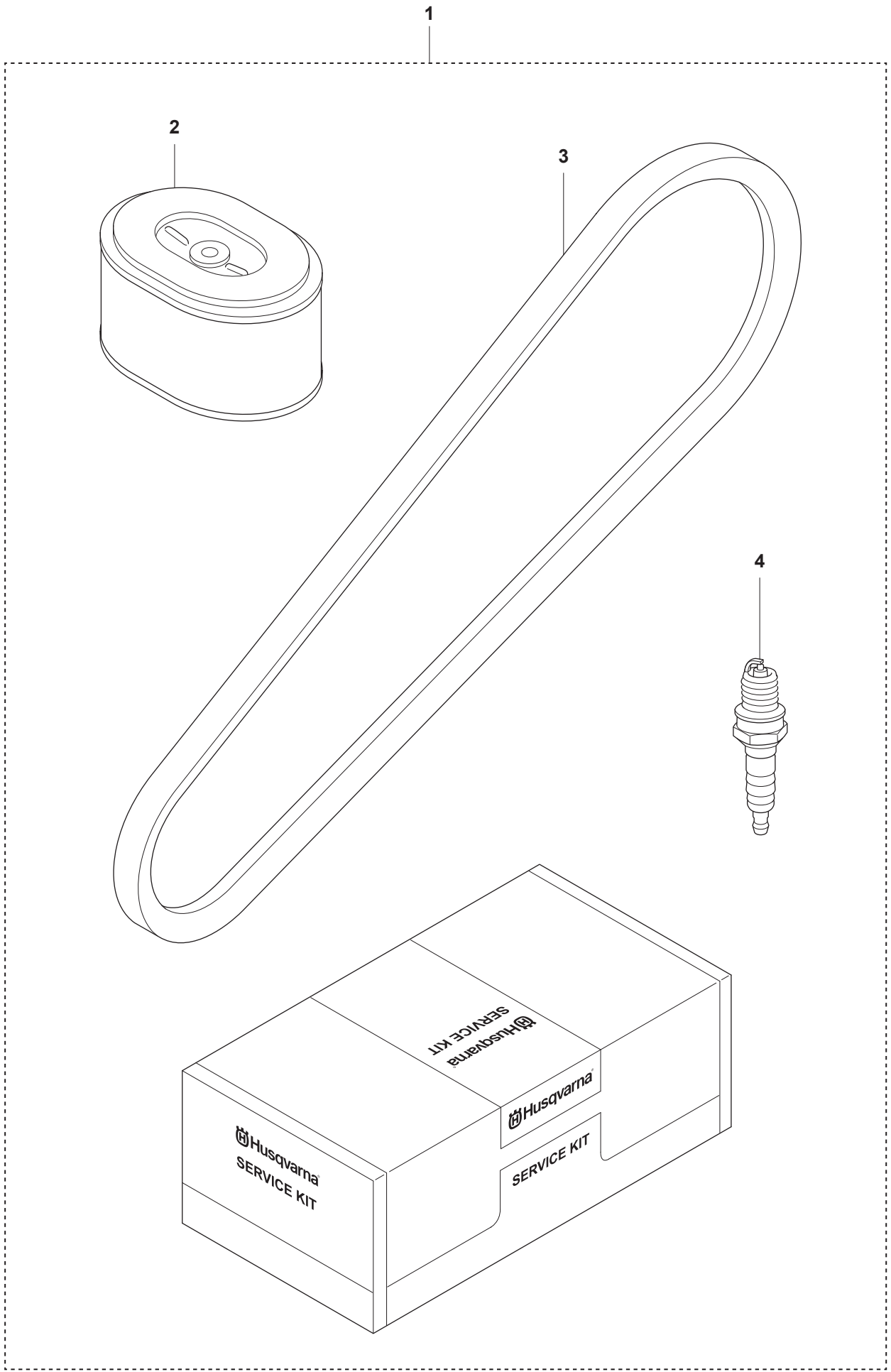
REF.	PART NO.	REMARK	QTY.	KIT
1	594868201	BLOCK PAVING KIT	1	
2	594484801	PLATE Polyurethane plate, 500 mm, 19.7"	1	1
3	594484901	BRACKET	1	1
4	594123001	LOCK NUT M8 x 1.25 mm A2K	2	1
5	595036601	WASHER 8.4x 16x1.5 mm 300HV	2	1
6	594522501	SCREW M8 x 75 mm 8.8 A2K	2	1

FP 100
START UP KIT



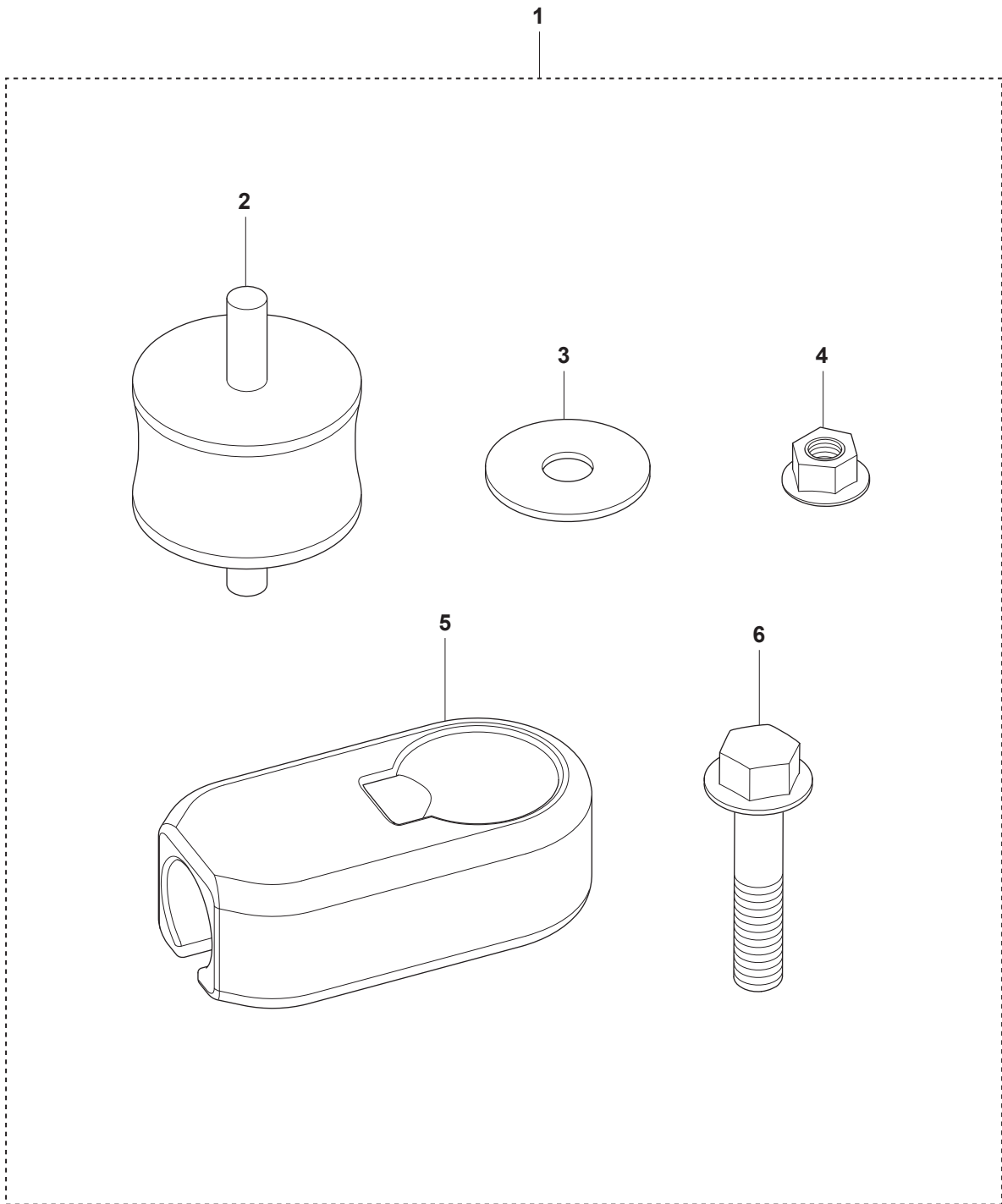
REF.	PART NO.	REMARK	QTY.	KIT
1	595385301	STARTT UP KIT	1	
2	594216202	SERVICE KIT 12 MONTHS + BOX	1	1
3	594302101	AIR FILTER ELEMENT HONDA GX160	1	2, 1
4	594488801	V-BELT	1	2, 1
5	595051301	SPARK PLUG	1	2, 1
5	594302101	AIR FILTER ELEMENT HONDA GX160	1	2, 1

FP 100
12 MONTHS / 200 HOURS SERVICE KIT



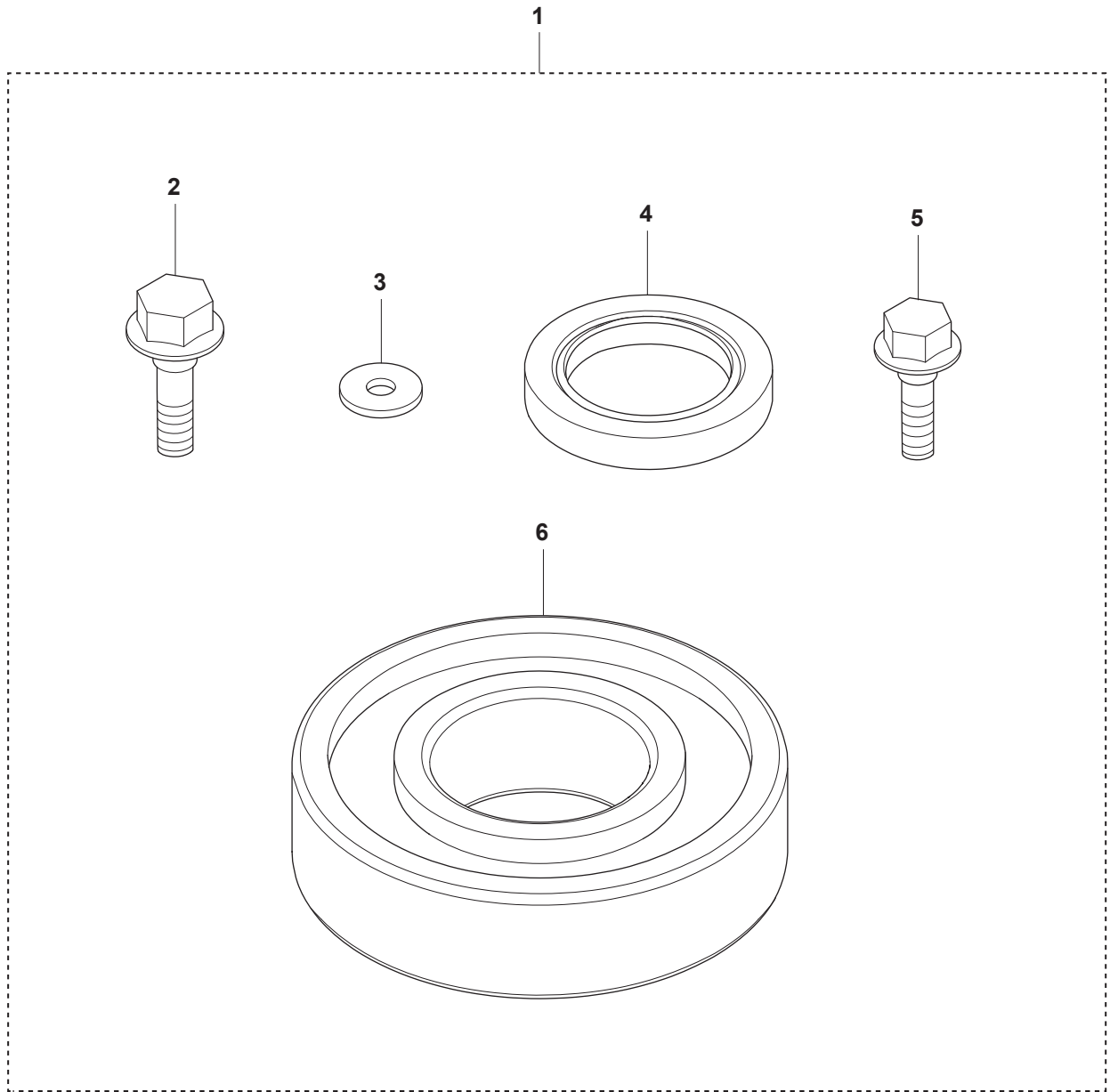
REF.	PART NO.	REMARK	QTY.	KIT
1	594216202	SERVICE KIT 12 MONTHS + BOX	1	
2	594302101	AIR FILTER ELEMENT HONDA GX160	1	1
3	594488801	V-BELT	1	1
4	595051301	SPARK PLUG	1	1

FP 100
SHOCK ABSORBER REPAIR KIT



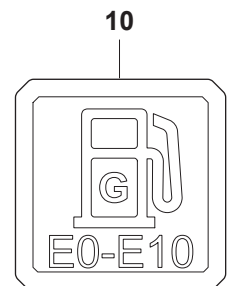
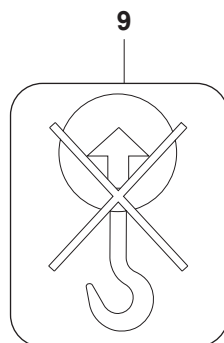
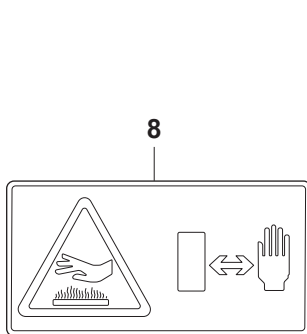
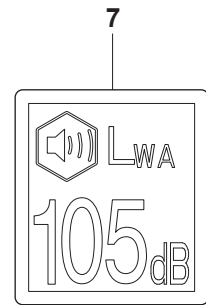
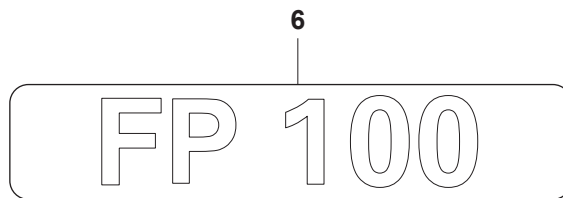
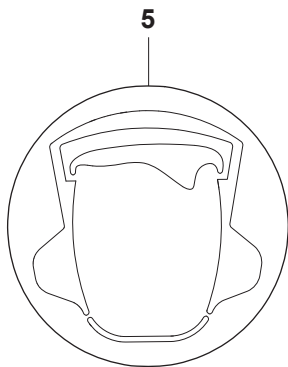
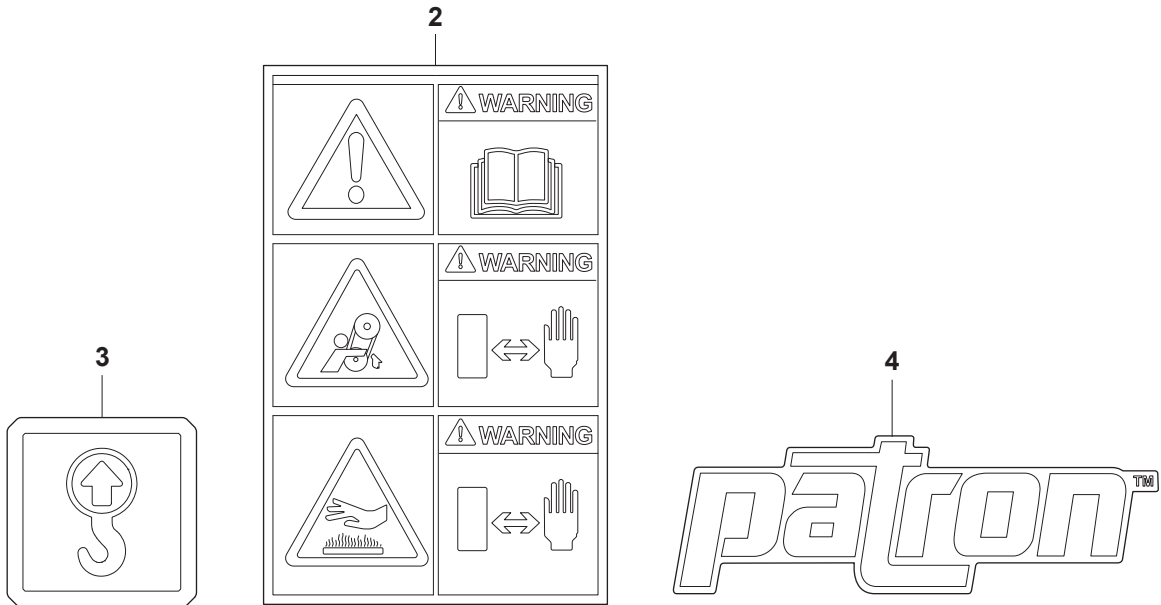
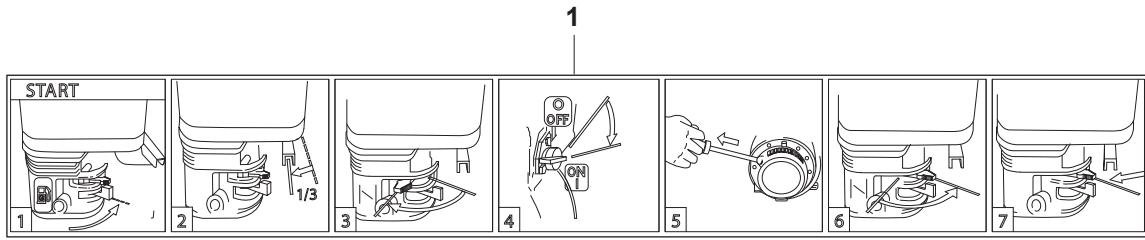
REF.	PART NO.	REMARK	QTY.	KIT
1	594194601	Shock absorber repair kit	1	
2	594341901	Shock absorber	4	1
3	594838501	Washer 022x10,5x4,0, S355JR, UNTR	4	1
4	594122601	HEXAGON NUT M10x10	8	1
5	594480401	Shock absorber (RUBBER SHOE)	2	1
6	548586301	Flanged bolt M12x50, 8.8, A3K	2	1

FP 100
ECCENTRIC ELEMENT REPAIR KIT



REF.	PART NO.	REMARK	QTY.	KIT
1	594194401	Eccentric element repair kit	1	
2	594120001	Screw, M8x25mm 8.8 A2K	1	1
3	594123401	Washer, 8.4x22x3 mm 300HV	1	1
4	594128301	Lip-type oil seal	1	1
5	594523301	Screw, M6x16 mm 8.8 A2K	6	1
6	594526101	Ball bearing	2	1

FP 100
DECALS



REF.	PART NO.	REMARK	QTY.	KIT
1	594486201	Start instruction decal	1	
2	594486301	assembly decal	1	
3	594660901	Lifting point decal	2	
4	535571601	PATRON LOGO DECAL	1	
5	594659601	PROTECTION,DECAL 75x30 mm CTO	1	
6	596461001	Model decal FP100 APT	1	
7	534137601	NOISE LEVEL DECAL 105 DB	1	
8	595186101	DECAL Hot Surface)	1	
9	594483301	DECAL No Lifting Point 45x45 mm	1	
10	594660201	FUEL DECAL GASOLINE	1	